



MINIBOX 21 Transmitter Enclosure

Made of hot-pressed glassfibre reinforced polyester (GRP)
 Two-part construction: horizontal or vertical mounting possible
 Space-saving storage
 Hardly inflammable and self-extinguishing
 All metal parts in stainless steel

- Colour RAL 7032 light grey
- UV-resistant
- Weight approx. 3 kg
- Protection class IP44

For further technical details → data sheet [KD015](#)

Dimensions (approx.):

	H	x	B	x	T
<input type="checkbox"/> horizontal:	300	x	388	x	218 mm
<input type="checkbox"/> vertical:	388	x	218	x	300 mm

Heat transition coefficient K	without window	with window
Standard	1,8 W/K	1,9 W/K
arctic-GRP	0,6 W/K	0,7 W/K

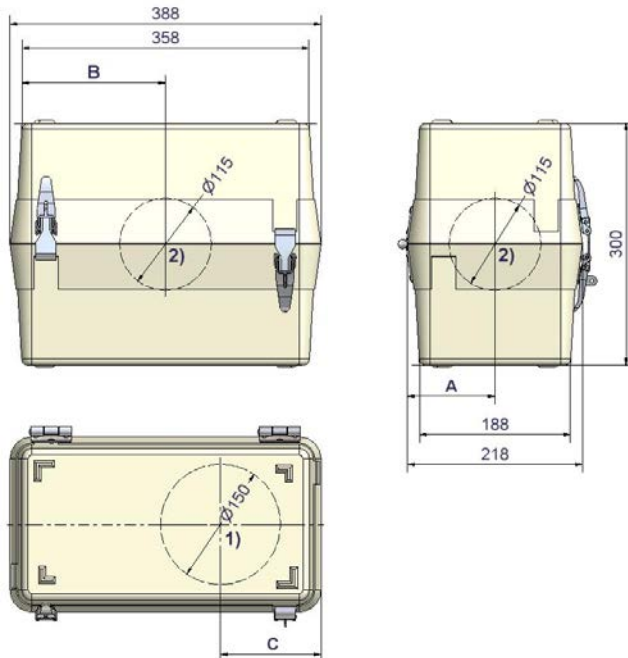
Standard Design

- SE2** Standard without cut-outs with 2 hinges and 2 clasps

Optional Designs

- SV4** 4 clasps
- DSL** Double row of hinges with C-rail
- FS** Safety glass window & Ø 150 mm

Horizontal Mounting



arctic Insulation

with PU-foam, not stackable one inside the other

- arctic-GRP** GRP lining

Explosion Protection

- GO** antistatic design to avoid electrostatic charge accumulation to DIN EN IEC 60079-0

Cutouts

- Cutout for FLEXIPASS R
- Cutout for FLEXIPASS T
- Window cut-out, Ø150mm
- Special cutout

} Specify the dimensions and location of A and B (2) and/or C (1) with order placement

Protection Class

- IP65**

Vents and Drains (→ data sheet [KD184](#))

- LF** Labyrinth filter IP44
- DV** Vents and Drains IP66

Vertical Mounting

