



DIABOX 87

Made of hot-pressed glass fibre reinforced polyester (GRP)
 Continuous double seal (a mechanical one in the form of a tongue and groove and another in the form of an inserted EPDM seal)

Two-part construction, split diagonally, lower part for installation of equipment, upper part as lid.

Stackable design for space saving storage and transport
 Hardly inflammable and self-extinguishing

- Colour similar light grey, RAL7032
- UV-resistant
- Protection class IP65
- Weight approx. 8 kg

For further technical details → data sheet [KD015](#) & [KD219](#)

Dimensions (approx.)	H x W x D
<input type="checkbox"/> Mounting "vertical"	490 x 460 x 390 mm
<input type="checkbox"/> Mounting "horizontal"	390 x 460 x 490 mm

Heat transition coefficient K	without window	with window
Standard	5,4 W/K	5,8 W/K
arctic-GRP	0,9 W/K	1,3 W/K

Designs

- SV4** 4 clasps in stainless steel (standard)
- SE2** 2 hinges and 2 clasps in stainless steel, with angle for optional padlock

Lid Propstay (only design SE)

- | | |
|---|----------------------------------|
| <input type="checkbox"/> DF in galvanized steel, | } <input type="checkbox"/> 1 pc. |
| <input type="checkbox"/> DFVA in stainless steel | |
| <input type="checkbox"/> DFGF gas compression spring | |

Window (→ data sheet [KD219](#))

material for mounting	Acrylic glass	Safety glass
vertical 290 x 290 mm	<input type="checkbox"/> FAV	<input type="checkbox"/> FSV
horizontal 210 x 290 mm	<input type="checkbox"/> FAH	<input type="checkbox"/> FSH

arctic additional Insulation

- PU-foam, not stackable
- arctic-GRP** GRP-lining

Explosion Protection

- GO** antistatic to avoid electrostatic charges according to EN IEC 60079-0
- Ex p** preparation for pressurised according to EN IEC 60079-2

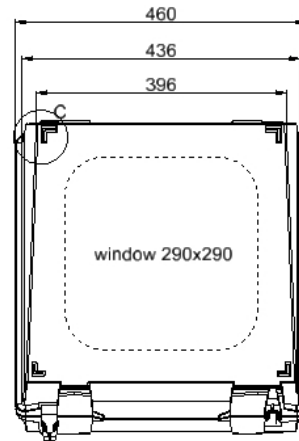
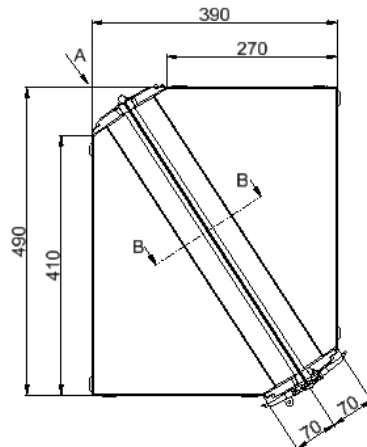
Protection Class

- IP66** **IP67** **IP68**
- CSA Enclosure Type 4X (NEMA 4X)**

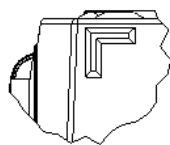
Vents and Drains (→ data sheet [KD184](#))

- LF** Labyrinth filter IP44
- DV** Vents and Drains IP66

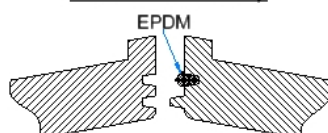
View:
Mounting „vertical“



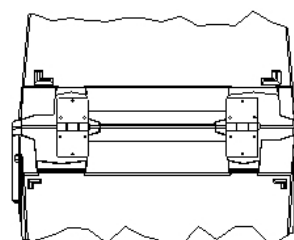
Detail C Stacking Ledges



Section B-B: seal strip



View A





DIABOX 107

Made of hot-pressed glass fibre reinforced polyester (GRP)
 Continuous double seal (a mechanical one in the form of a tongue and groove and another in the form of an inserted EPDM seal)

Two-part construction, split diagonally, lower part for installation of equipment, upper part as lid
 Stackable design for space saving storage and transport
 Low flammability and self-extinguishing

- Color similar light grey, RAL 7032
 - UV-resistant
 - Protection class IP65
 - Weight approx. 9 kg
- For further technical details → data sheet [KD015](#) & [KD219](#)

Dimensions (approx.)	H x W x D
<input type="checkbox"/> Mounting "vertical"	490 x 585 x 390 mm
<input type="checkbox"/> Mounting "horizontal"	390 x 585 x 490 mm

Heat transition coefficient K	without window	with window
standard	6.5 W/K	7.0 W/K
arctic-GRP	1.1 W/K	1.6 W/K

Designs

- SV4** 4 latches in stainless steel (standard)
- SE2** 2 hinges and 2 latches in stainless steel with angle for optional padlock

Lid Propstay (only design SE)

- DF2** in plated steel
 - DFVA2** in stainless steel
 - DFGF2** gas compression spring
- } 2 St.

Window (see data sheet [KD219](#))

material for mounting	Acrylic glass	Safety glass
vertical 300 x 420 mm	<input type="checkbox"/> FAV	<input type="checkbox"/> FSV
horizontal 210 x 420 mm	<input type="checkbox"/> FAH	<input type="checkbox"/> FSH

arctic additional Insulation

- PU foam, not stackable
- arctic-GRP** GRP lining

Explosion Protection

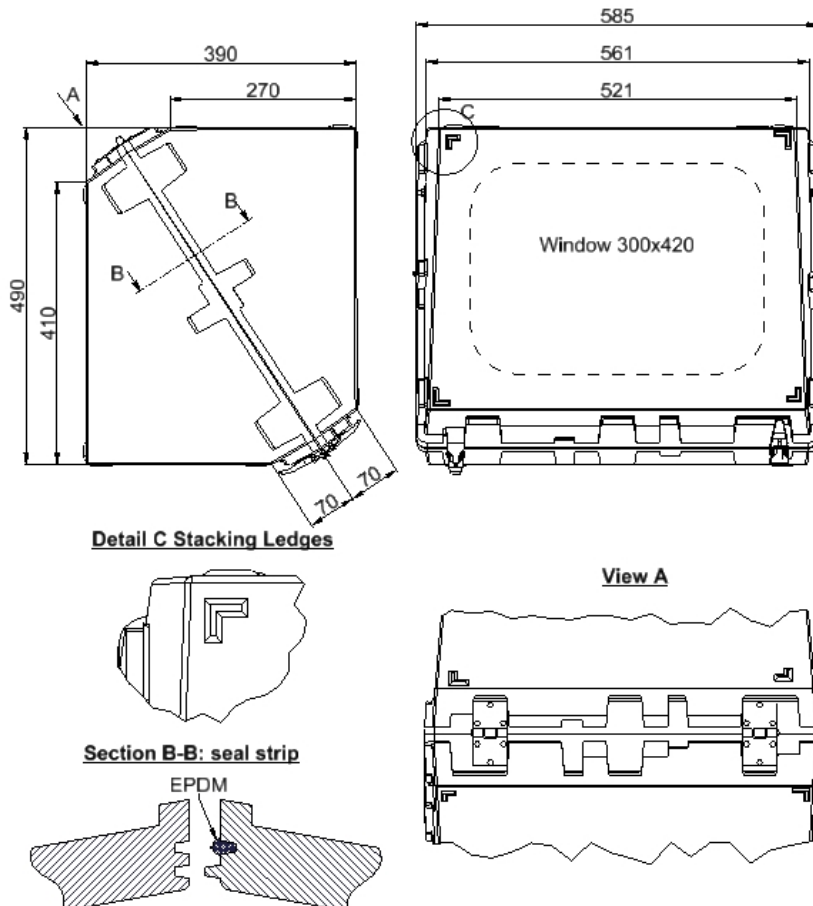
- GO** antistatic to avoid electrostatic charges according to EN IEC 60079-0
- Ex p** preparation for pressurised according to DIN EN IEC 60079-2

Protection class

- IP66** **IP67** **IP68**
- CSA Enclosure Type 4X (NEMA 4X)**

Vents and Drains (see data sheet [KD184](#))

- LF** Labyrinth filter IP44
- DV** Vents and Drains IP66





DIABOX 137

Made of hot-pressed glass fibre reinforced polyester (GRP)
 Continuous double seal (a mechanical one in the form of a tongue and groove and another in the form of an inserted EPDM seal)

Two-part construction, split diagonally, lower part for installation of equipment, upper part as lid.

Stackable design for space saving storage and transport
 Hardly inflammable and self-extinguishing

- Colour similar light grey, RAL7032
- UV-resistant
- Protection class IP65
- Weight approx. 10,8 kg

For further technical details → data sheet [KD015](#) & [KD219](#)

Dimensions (approx.) H x W x D
 Mounting "vertical" 490 x 710 x 390 mm
 Mounting "horizontal" 390 x 710 x 490 mm

Heat transition coefficient K	without window	with window
Standard	7,5 W/K	8,2 W/K
arctic-GRP	1,2 W/K	1,9 W/K

Designs

- SV4** 4 clasps in stainless steel (Standard)
- SE2** 2 hinges and 2 clasps in stainless steel, with angle for optional padlock

Lid Propstay (only design SE)

- DF2** in galvanized steel
 - DFVA2** in stainless steel
 - DFGF2** gas compression spring
- } 2 pcs.

Window (→ data sheet [KD219](#))

material for mounting	Acrylic glass	Safety glass
vertical 300 x 500 mm	<input type="checkbox"/> FAV	<input type="checkbox"/> FSV
horizontal 210 x 500 mm	<input type="checkbox"/> FAH	<input type="checkbox"/> FSH

arctic additional Insulation

- PU-foam, not stackable
- arctic-GRP** GRP-lining

Explosion Protection

- GO** antistatic to avoid electrostatic charges according to EN IEC 60079-0
- Ex p** preparation for pressurised according to EN IEC 60079-2

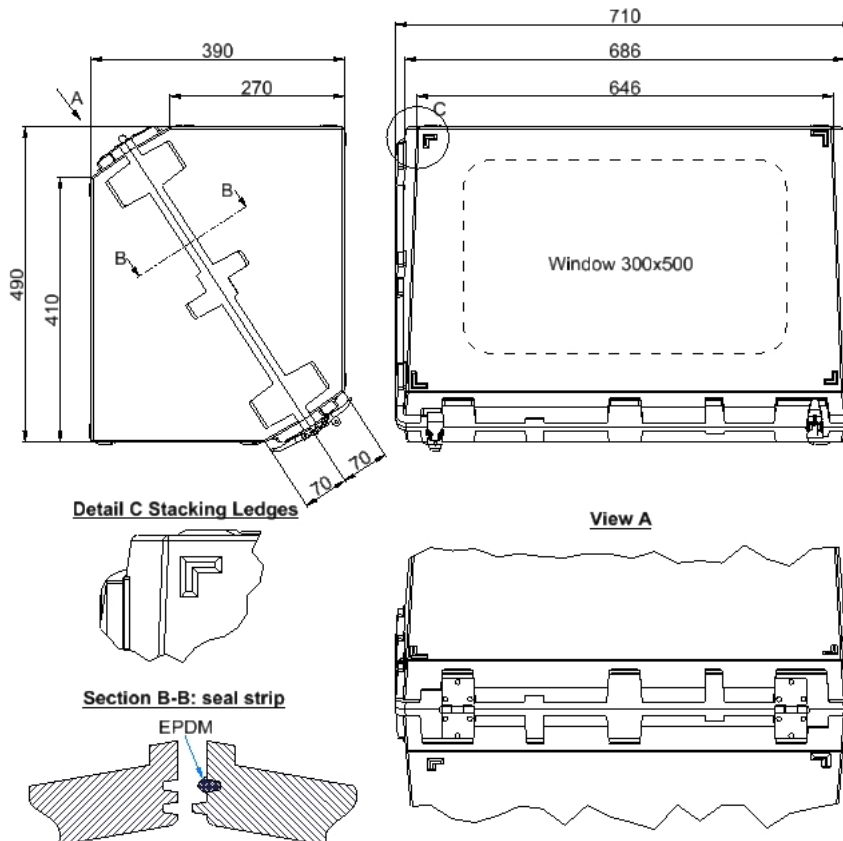
Protection class

- IP66** **IP67** **IP68**
- CSA Enclosure Type 4X (NEMA 4X)**

Vents and Drains (→ data sheet [KD184](#))

- LF** Labyrinth filter IP44
- DV** Vents and Drains IP66

View: Mounting „vertical“





DIABOX 187

Made of hot-pressed glass fibre reinforced polyester (GRP)
 Continuous double seal (a mechanical one in the form of a tongue and groove and another in the form of an inserted EPDM seal)

Two-part construction, split diagonally, lower part for installation of equipment, upper part as lid.

Space saving storage possible

Hardly inflammable and self-extinguishing

- Colour similar light grey, RAL7032
- UV-resistant
- Protection class IP65
- Weight approx. 21 kg

For further technical details → data sheet [KD015](#) & [KD219](#)

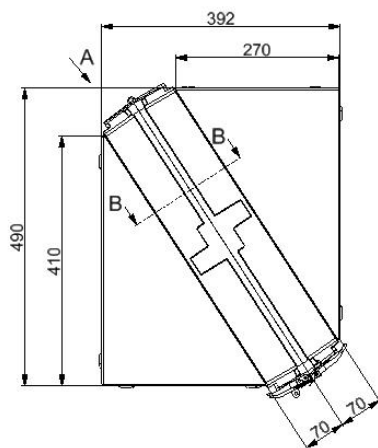
Dimensions (approx.) H x W x D
 vertical 490 x 960 x 390 mm
 horizontal 390 x 960 x 490 mm

Heat transition coefficient K	without window	with window
Standard	9,7 W/K	10,30 W/K
arctic-GRP	1,6 W/K	2,9 W/K

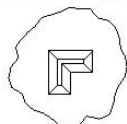
Designs

- SV4** 4 clasps in stainless steel (standard)
- SE2** 2 hinges and 2 clasps in stainless steel, with angle for optional padlock

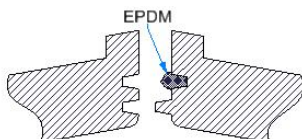
View:
 Mounting "vertical"
 Design SE2



Detail C Stacking Ledges



Section B-B: seal strip



Lid Propstay (only design SE)

- DFVA2** in stainless steel } 2 pcs.

Window (→ data sheet [KD219](#))

Material for mounting	Safety Glass
vertical 150 x 760 mm	<input type="checkbox"/> FSV
horizontal 150 x 760 mm	<input type="checkbox"/> FSH

arctic additional Insulation

PU-foam, not stackable

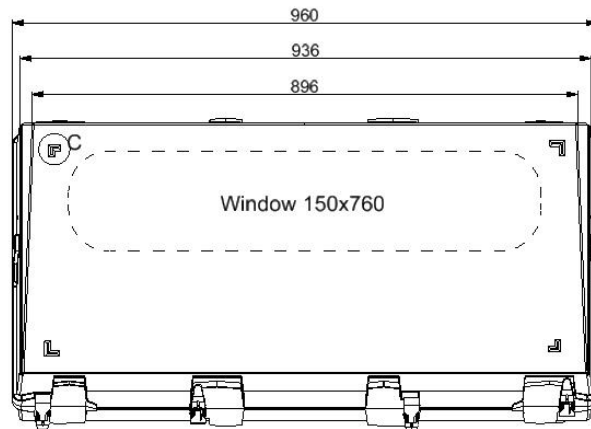
- arctic-GRP** GRP-lining

Explosion Protection

- GO** antistatic to avoid electrostatic charges according to EN IEC 60079-0

Vents and Drains (→ data sheet [KD184](#))

- LF** Labyrinth filter IP44
- DV** Vents and Drains IP66



View A

