



MULTIBOX 25

Made of hot-pressed glass fibre reinforced polyester (GRP)
 Two-part construction, equipment can be installed in either the shallow or deep part.
 Stackable design for space saving storage and transport
 Low flammability and self-extinguishing
 4 mounting elements in stainless steel

- Colour light grey, RAL 7032
- EPDM seal
- Weight approx. 6kg
- UV-resistant
- Protection class IP65

For further technical details → data sheet [KD015](#) & [KD112](#)

Dimensions in mm (approx.) Height 485 x Width 385 x Depth 240

Heat transition Coefficient K	without window	with window
without isolation	2,5 W/K	2,9 W/K
arctic-GRP	0,9 W/K	1,3 W/K

Designs (Locking-type see data sheet [KD152](#))

- SV 4** 4 clasps in stainless steel (standard)
- SE 2** 2 hinges and 2 clasps in stainless steel, with angle for optional padlock

Lid Propstay (only design SE)

- DF** in galvanized steel
 - DFVA** in stainless steel
- } 1 pc.
 2 pcs.

Window

- FA** acrylic glass window
 - FS** safety glass window
 - STA** hinged door of acrylic glass
- } mounted in TE
 TU

arctic additional Insulation

PU-foam, not stackable

- arctic-GRP** GRP lining

Explosion Protection

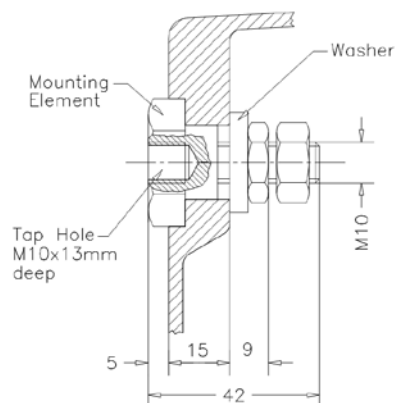
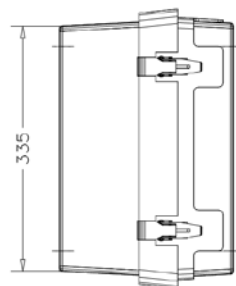
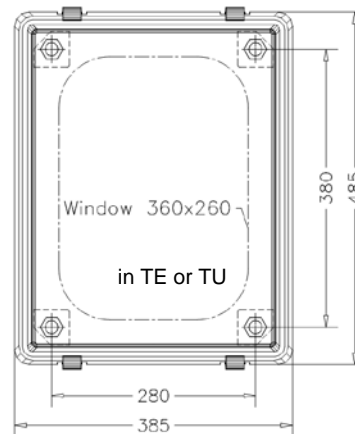
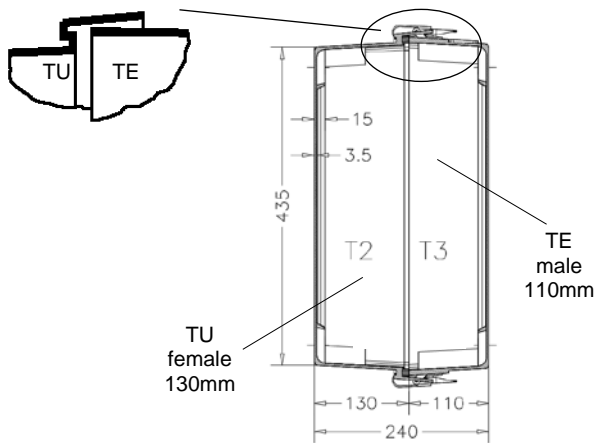
- GO** antistatic to avoid electrostatic charges according to DIN EN IEC 60079-0
- Ex p** preparation for pressurization according to DIN EN IEC 60079-2

Protection Class

- IP66** **IP67** **IP68**
- CSA Enclosure Type 4X (NEMA 4X)**

Vents and Drains (see data sheet [KD184](#))

- LF** Labyrinth filter IP44
- DV** Vents and Drains IP66





MULTIBOX 48

Made of hot-pressed glass fibre reinforced polyester (GRP)
 Two-part construction, equipment can be installed in either the shallow or deep part.
 Stackable design for space saving storage and transport
 Low flammability and self-extinguishing
 4 mounting elements in stainless steel

- Colour light grey, RAL 7032
- EPDM seal
- Weight approx. 7kg
- UV-resistant
- Protection class IP65

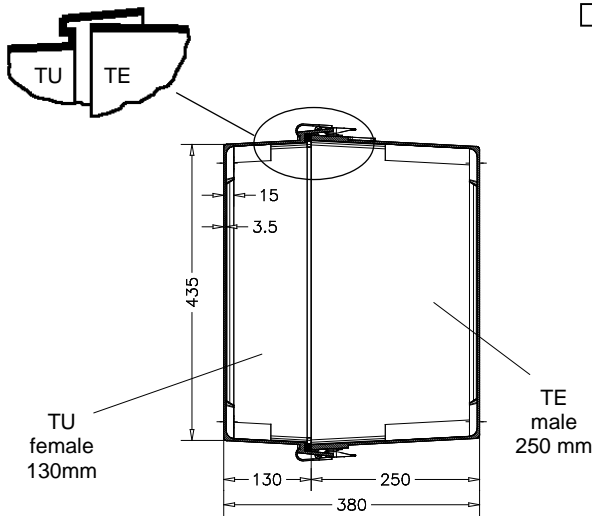
For further technical details → data sheet [KD015](#) & [KD112](#)

Dimensions Height Width Depth
 in mm (approx.) 485 x 385 x 380

Heat transition Coefficient K	without window	with window
without isolation	4,4 W/K	4,9 W/K
arctic-GRP	1,2 W/K	1,6 W/K

Designs (locking-type see data see [KD152](#))

- SV4** 4 clasps in stainless steel (Standard)
- SE2** 2 hinges and 2 clasps in stainless steel, with angle for optional padlock



Lid Propstay (only design SE)

- DF** in galvanized steel
 - DFVA** in stainless steel
- } 1 pc.
 } 2 pcs.

Window

- FA** acrylic glass window
 - FS** safety glass window
 - STA** hinged door of acrylic glass
- } mounted in
 } TE
 } TU

arctic additional Insulation

PU-foam, not stackable

- arctic-GRP** GRP lining

Explosion Protection

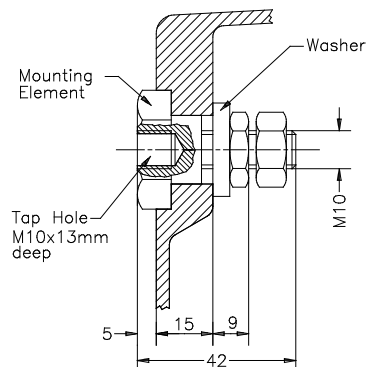
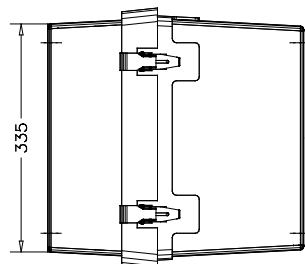
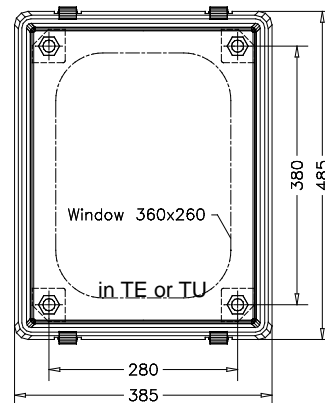
- GO** antistatic to avoid electrostatic charges according to DIN EN IEC 60079-0
- Ex p** preparation for pressurization according to DIN EN IEC 60079-2

Protection Class

- IP66** **IP67** **IP68**
- CSA Enclosure Type 4X (NEMA 4X)**

Vents and Drains (see data sheet [KD184](#))

- LF** Labyrinth filter IP44
- DV** Vents and Drains IP66





MULTIBOX 60

Made of hot-pressed glass fibre reinforced polyester (GRP)
 Two-part construction, equipment can be installed in either the shallow or deep part.
 Stackable design for space saving storage and transport
 Low flammability and self-extinguishing
 4 mounting elements in stainless steel

- Colour: light grey, RAL 7032
- EPDM seal
- Weight approx. 8kg
- UV- resistant
- Protection class IP65

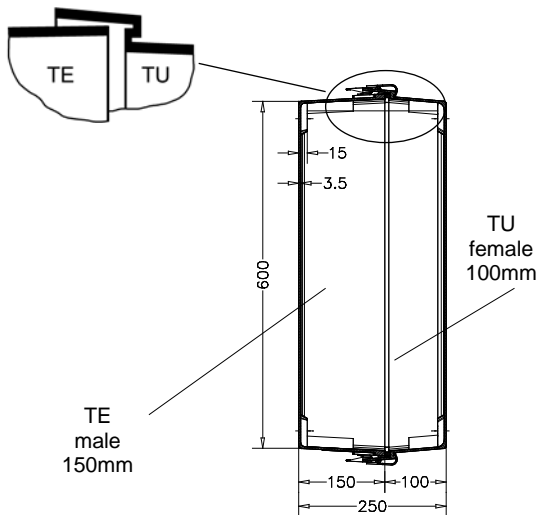
For further technical details → data sheet [KD015](#) & [KD112](#)

Dimensions Height Width Depth
 in mm (approx.) 640 x 440 x 250

Heat transition coefficient K	without window	with window
standard	4,5 W/K	5,1 W/K
arctic-GRP	1,3 W/K	1,9 W/K

Designs (Locking-type see data sheet [KD152](#))

- SV4** 4 clasps in stainless steel (standard)
- SE2** 2 hinges and 2 clasps in stainless steel, with angle for optional padlock



Lid Propstay (only design SE)

- DF** in galvanized steel } 1 pc.
- DFVA** in stainless steel } 2 pcs.

Window

- FA** acrylic glass window } mounted in
- FS** safety glass window } TE
- STA** hinged door of acrylic glass } TU

arctic additional Insulation

- PU-foam, not stackable
- arctic-GRP** GRP lining

Explosion Protection

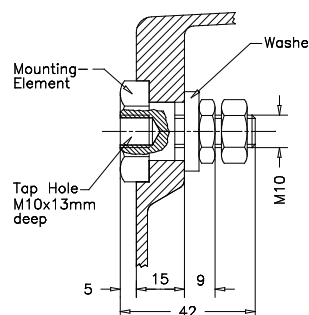
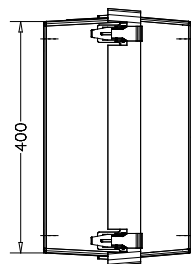
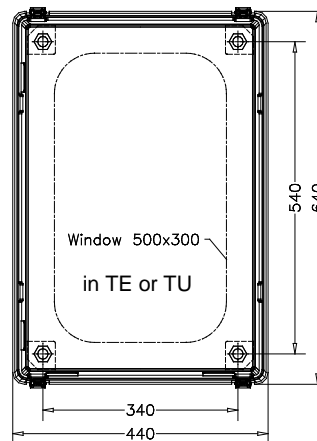
- GO** antistatic to avoid electrostatic charges according to DIN EN IEC 60079-0
- Ex p** preparation for pressurization according to DIN EN IEC 60079-2

Protection Class

- IP66** **IP67** **IP68**
- CSA Enclosure Type 4X (NEMA 4X)**

Vents and Drains (see data sheet [KD184](#))

- LF** Labyrinth filter IP44
- DV** Vents and Drains IP66





MULTIBOX 80

Made of hot-pressed glass fibre reinforced polyester (GFP)
 Two-part construction, equipment can be installed in either the shallow or deep part.
 Stackable design for space saving storage and transport
 Low flammability and self-extinguishing
 4 mounting elements in stainless steel

- Colour: light grey, RAL 7032
- EPDM seal
- Weight approx. 9,5kg
- UV-resistant
- Protection class IP65

For further technical details → data sheet [KD015](#) & [KD112](#)

Dimensions in mm (approx.) Height 750 Width 520 Depth 250

Heat transition coefficient K	without window	with window
standard	6,5 W/K	7,2 W/K
arctic-GRP	1,8 W/K	2,5 W/K

Designs (Locking-type see data sheet [KD152](#))

- SV4** 4 clasps in stainless steel (standard)
- SE2** 2 hinges and 2 clasps in stainless steel, with angle for optional padlock

Lid Propstay (only design SE)

- DF** in galvanized steel
 - DFVA** in stainless steel
- } 1 pc.
 2 pcs.

Window

- FA** acrylic glass window
 - FS** safety glass window
 - STA** hinged door of acrylic glass
- } mounted in
 TE
 TU

arctic additional Insulation

- PU-foam, not stackable
- arctic-GRP** GRP lining

Explosion Protection

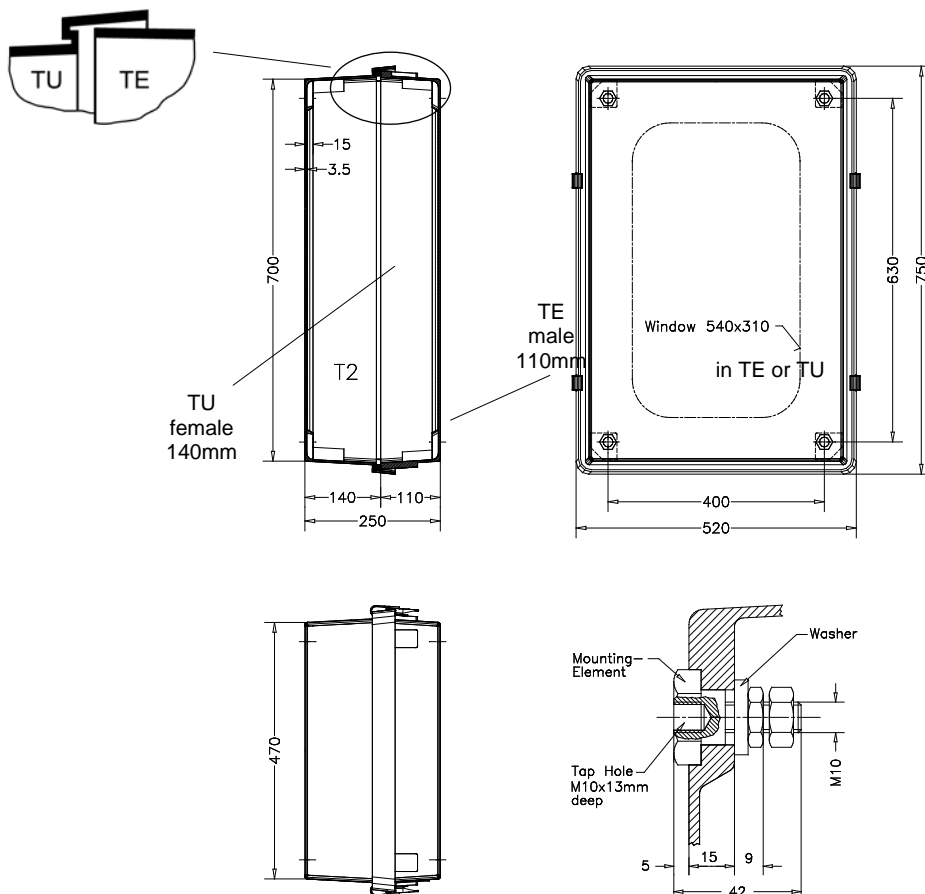
- GO** antistatic to avoid electrostatic charges according to DIN EN IEC 60079-0
- Ex p** preparation for pressurization according to DIN EN IEC 60079-2

Protection Class

- IP66** **IP67** **IP68**
- CSA Enclosure Type 4X (NEMA 4X)**

Vents and Drains (see data sheet [KD184](#))

- LF** Labyrinth filter IP44
- DV** Vents and Drains IP66





MULTIBOX 100

Made of hot-pressed glass fibre reinforced polyester (GRP)
 Two-part construction, equipment can be installed in either the shallow or deep part.
 Stackable design for space saving storage and transport
 Low flammability and self-extinguishing
 4 mounting elements in stainless steel

- Colour: light grey, RAL 7032
- EPDM seal
- Weight approx. 9,5kg
- UV-resistant
- Protection class IP65

For further technical details → data sheet [KD015](#) & [KD112](#)

Dimensions Height Width Depth
 in mm (approx.) 640 x 440 x 430

Heat transition coefficient K	without window	with window
standard	6,8 W/K	7,4 W/K
arctic-GRP	1,9 W/K	2,5 W/K

Designs (Locking-type see data sheet [KD152](#))

- SV4** 4 clasps in stainless steel
- SE2** 2 hinges and 2 clasps in stainless steel, with angle for optional padlock

Lid Propstay (only design SE)

- DF** in galvanized steel
 - DFVA** in stainless steel
- } 2 pcs.

Window

- FA** acrylic glass window
 - FS** safety glass window
 - STA** hinged door of acrylic glass
- } mounted in TE TU

arctic additional Insulation

- PU-foam, not stackable
- arctic-GRP** GRP lining

Explosion Proof

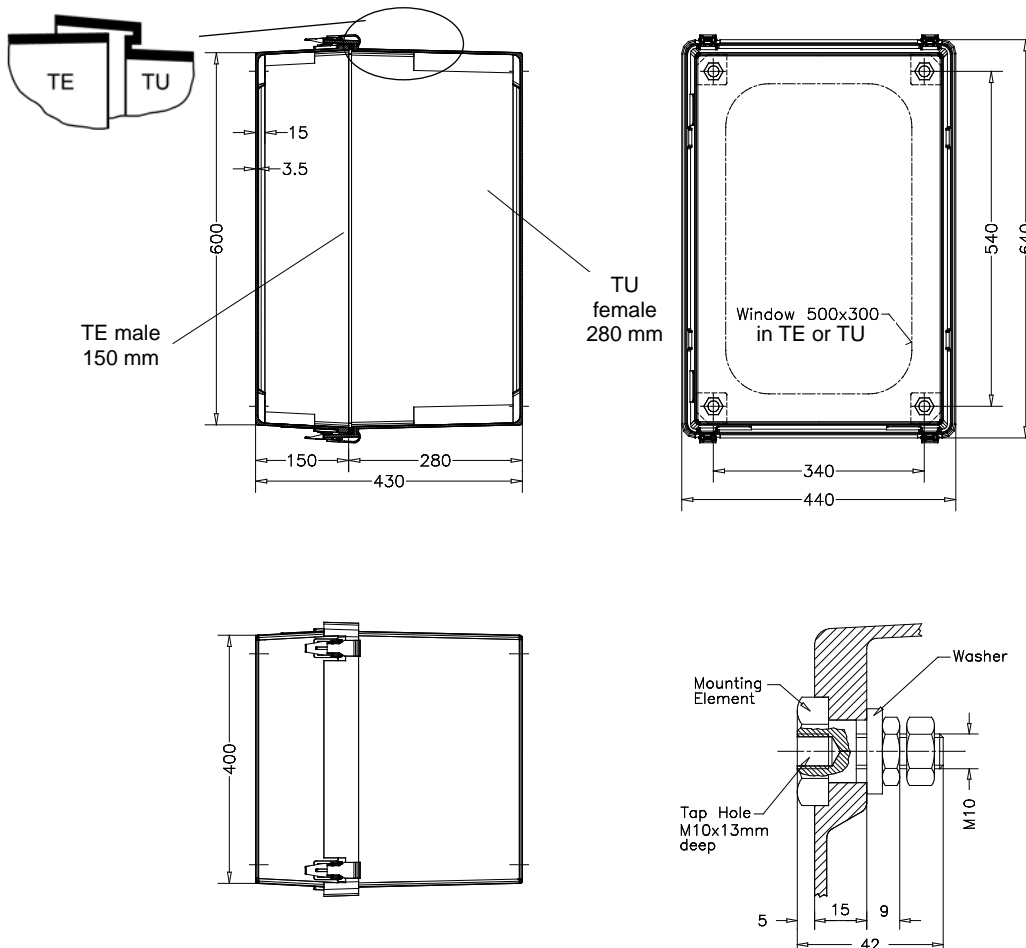
- GO** antistatic to avoid electrostatic charges according to DIN EN IEC 60079-0
- Ex p** preparation for pressurization according to DIN EN IEC 60079-2

Protection Class

- IP66**
- CSA Enclosure Type 4X (NEMA 4X)**

Vents and Drains (see data sheet [KD184](#))

- LF** Labyrinth filter IP44
- DV** Vents and Drains IP66





MULTIBOX 150

Made of hot-pressed glass fibre reinforced polyester (GFP)
 Two-part construction, equipment can be installed in either the shallow or deep part.
 Stackable design for space saving storage and transport
 Low flammability and self-extinguishing
 4 mounting elements in stainless steel

- Colour: light grey, RAL 7032
- EPDM seal
- Weight approx. 12kg
- UV-resistant
- Protection class IP65

For further technical details → data sheet [KD015](#) & [KD112](#)

Dimensions Height Width Depth
 in mm (approx.) 750 x 520 x 430

Heat transition coefficient K	without window	with window
Without isolation	8,5 W/K	9,2 W/K
arctic-GRP	2,3 W/K	3,0 W/K

Designs (Locking-type see data sheet [KD152](#))

- SV4** 4 clasps in stainless steel (standard)
- SE2** 2 hinges and 2 clasps in stainless steel, with angle for optional padlock

Lid Propstay (only design SE)

- DF** in galvanized steel
 - DFVA** in stainless steel
- } 1 pc.
 2 pcs.

Window

- FA** acrylic glass window
 - FS** safety glass window
 - STA** hinged door of acrylic glass
- } mounted in
 TE
 TU

arctic additional Insulation

- PU-foam, not stackable
- arctic-GRP** GRP lining

Explosion Protection

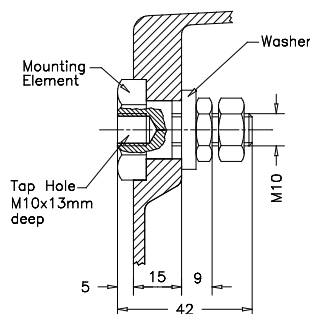
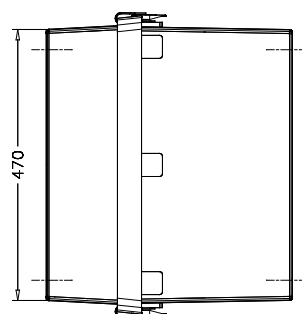
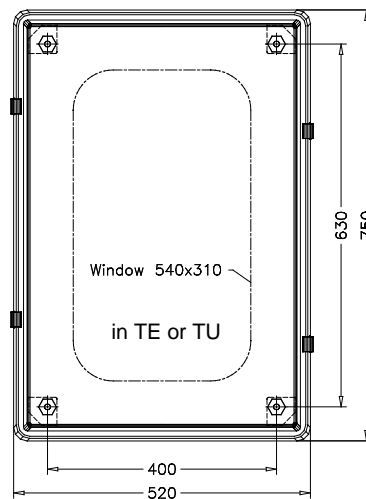
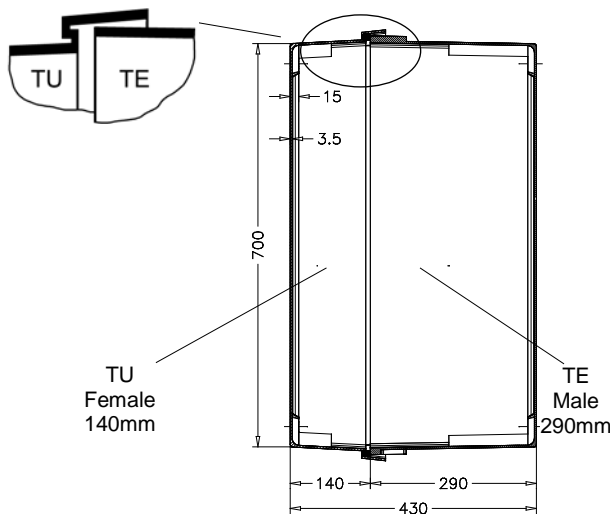
- GO** antistatic to avoid electrostatic charges according to DIN EN IEC 60079-0
- Ex p** preparation for pressurization according to DIN EN IEC 60079-2

Protection Class

- IP66** **IP67** **IP68**
- CSA Enclosure Type 4X (NEMA 4X)**

Vents and Drains (see data sheet [KD184](#))

- LF** Labyrinth filter IP44
- DV** Vents and Drains IP66





MULTIBOX 170

Made of hot-pressed glass fibre reinforced polyester (GRP)
 Two-part construction, equipment can be installed in either the shallow or deep part.
 Stackable design for space saving storage and transport
 Low flammability and self-extinguishing
 4 mounting elements in stainless steel

- Colour light grey, RAL 7032
- EPDM
- Weight approx. 12,5kg
- UV-resistant
- Protection class IP65

For further technical details → see data sheet [KD015](#) & [KD112](#)

Dimensions in mm (approx.) Height 750 x Width 520 x Depth 480

Heat transition coefficient K	without window	with window
Standard	9,1 W/K	9,8 W/K
arctic-GRP	2,4 W/K	3,1 W/K

Designs (Locking-type → data sheet [KD152](#))

- SV4** 4 clasps in stainless steel (standard)
- SE2** 2 hinges and 2 clasps in stainless steel, with angle for optional padlock

Lid Propstay (only design SE)

- DF** in galvanized steel
 - DFVA** in stainless steel
- } 1 pc.
 } 2 pcs.

Window

- FA** acrylic glass window
 - FS** safety glass window
 - STA** hinged door of acrylic glass
- } mounted in
 } TE
 } TU

arctic additional Insulation

- PU-foam, not stackable
- arctic-GRP** GRP lining

Explosion Protection

- GO** antistatic to avoid electrostatic charges according to DIN EN IEC 60079-0
- Ex p** preparation for pressurization according to DIN EN IEC 60079-2

Protection Class

- IP66** **IP67** **IP68**
- CSA Enclosure Type 4X (NEMA 4X)**

Vents and Drains (→ data sheet [KD184](#))

- LF** Labyrinth filter IP44
- DV** Vents and Drains IP66

