



# CLASSIC 110.070.xxx/ 110.090.xxx/ 110.110.xxx - single door

Reinforced glassfibre polyester parts, sandwich construction, insulated with polyurethane foam core  
 Corner posts of GRP with vertical c-rails  
 Textured surface in grey RAL 7032  
 Protection class IP65

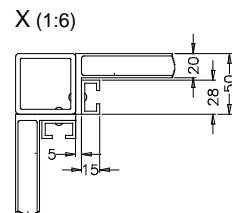
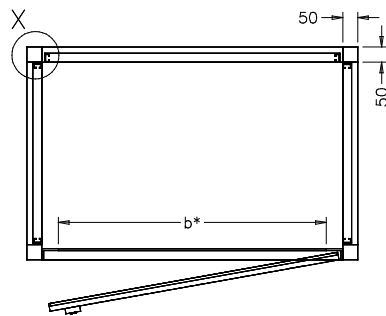
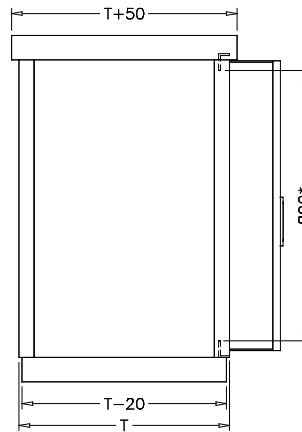
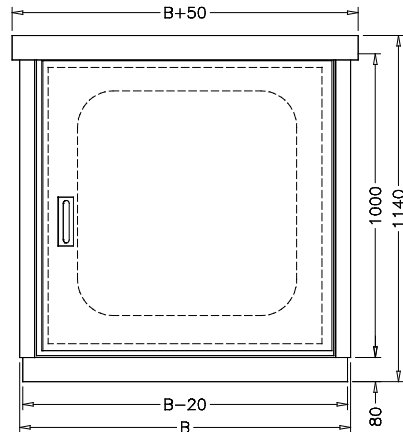
Vertical c-rails provided at the side wall and rear wall  
 3-point locking device with burglary-resistant swing handle with profile cylinder to DIN 18252 (lockable)  
 Roof overhang 25 mm all around

## Arrangement

Floor (see data sheet [SD522](#) „Floor versions for classic series“)

## Options

- MP** Mounting plate
- FA/FS**  Acrylic glass/  Safety glass window
- C-VA** Vertical c-rails in stainless steel instead of aluminium
- GO** Antistatic to avoid electrostatic charges according to EN IEC 60079-0
- F30** Fire resistance class F30
- SB** Floor fastening (see data sheet [SD523](#) „Fastenings for classic-floor versions design ..“)
- WA** Wall fastening  inside/  outside
- SZ** Ground vault



\* clear width

scale 1:25

Type	Sizes (mm) with floor			
	H	B	b	T
110.070.050	1140	700	490	500
110.070.070				700
110.070.090				900
110.070.110				1100
110.090.050	900	690		500
110.090.070				700
110.090.090				900
110.090.110				1100

Type	Sizes (mm) with floor			
	H	B	b	T
110.110.050	1140	1100	890	500
110.110.070				700
110.110.090				900
110.110.110				1100



## CLASSIC 110.135.xxx - double door

Reinforced glassfibre polyester parts, sandwich construction, insulated with polyurethane foam core  
 Corner posts of GRP with vertical c-rails  
 Textured surface in grey RAL 7032  
 Protection class IP54  
 Vertical c-rails provided at the side wall and rear wall

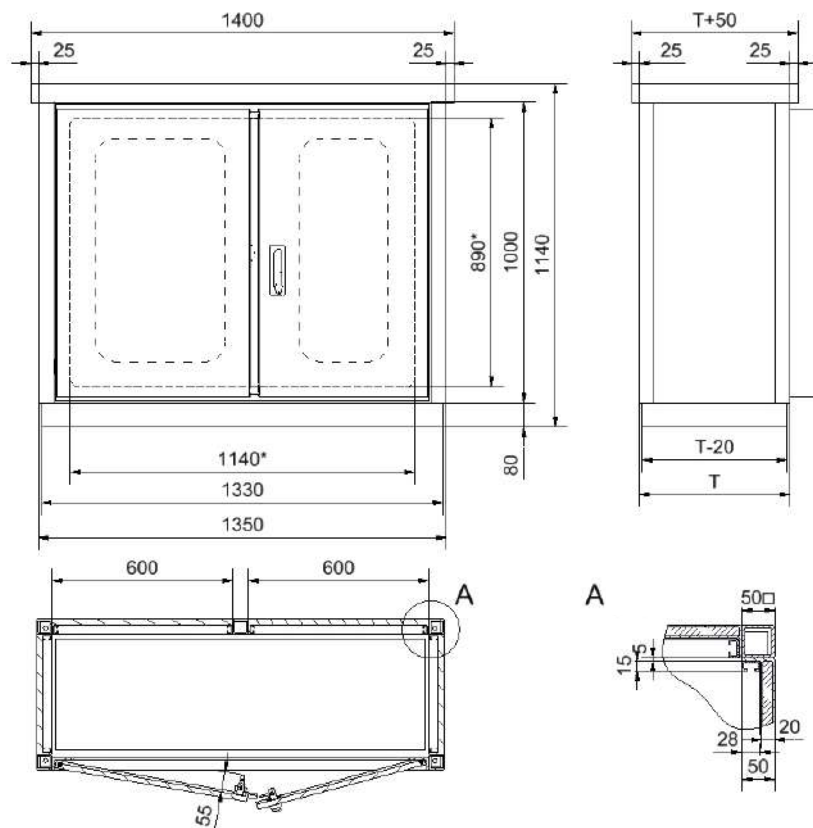
Door with 3-point locking device with burglary-resistant swing handle with profile cylinder to DIN 18252 (lockable)  
 Basquil-locking-device for left door and overlapflange of stainless steel  
 Roof overhang 25 mm all around

### Arrangement

Floor (see data sheet [SD522](#) „Floor versions for classic series“)

### Options

- MP** Mounting plate
- FA/FS**  Acrylic glass/  Safety glass window
- C-VA** Vertical c-rails in stainless steel instead of aluminium
- GO** Antistatic to avoid electrostatic charges according to EN IEC 60079-0
- SB** Floor fastening (see data sheet [SD523](#) „Fastenings for classic-floor versions design ...“)
- WA** Wall fastening  inside/  outside
- SZ** Ground vault



\* clear width

Type	Sizes (mm) with floor		
	H	B	T
110.135.050	1140	1350	500
110.135.070			700
110.135.090			900
110.135.110			1100



## CLASSIC 110.155.xxx - double door

Reinforced glassfibre polyester parts, sandwich construction, insulated with polyurethane foam core  
 Corner posts of GRP with vertical c-rails  
 Textured surface in grey RAL 7032  
 Protection class IP54  
 Vertical c-rails provided at the side wall and rear wall

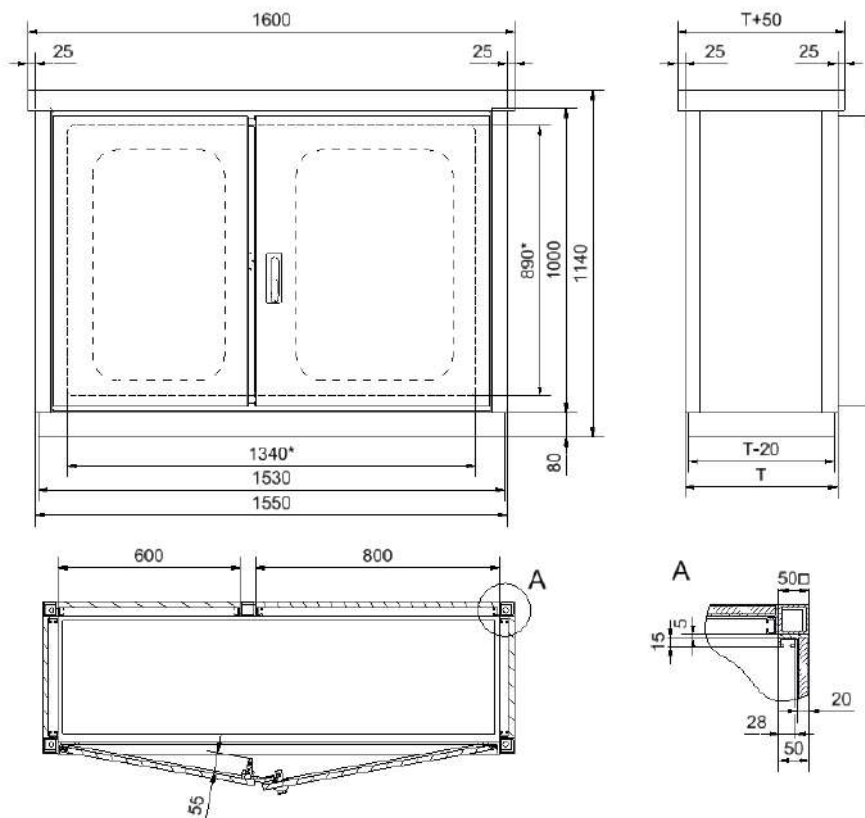
Door with 3-point locking device with burglary-resistant swing handle with profile cylinder to DIN 18252 (lockable)  
 Basquil-locking-device for left door and overlapflange of stainless steel  
 Roof overhang 25 mm all around

### Arrangement

Floor (see data sheet [SD522](#) „Floor versions for classic series“)

### Options

- MP** Mounting plate
- FA/FS**  Acrylic glass/  Safety glass window
- C-VA** Vertical c-rails in stainless steel instead of aluminium
- GO** Antistatic to avoid electrostatic charges according to EN IEC 60079-0
- SB** Floor fastening (see data sheet [SD523](#) „Fastenings for classic-floor versions design ...“)
- WA** Wall fastening  inside/  outside
- SZ** Ground vault



\* clear width

Type	Sizes (mm) with floor		
	H	B	T
110.155.050	1140	1550	500
110.155.070			700
110.155.090			900
110.155.110			1100



# CLASSIC 110.175.xxx - double door

Reinforced glassfibre polyester parts, sandwich construction, insulated with polyurethane foam core  
 Corner posts of GRP with vertical c-rails  
 Textured surface in grey RAL 7032  
 Protection class IP54

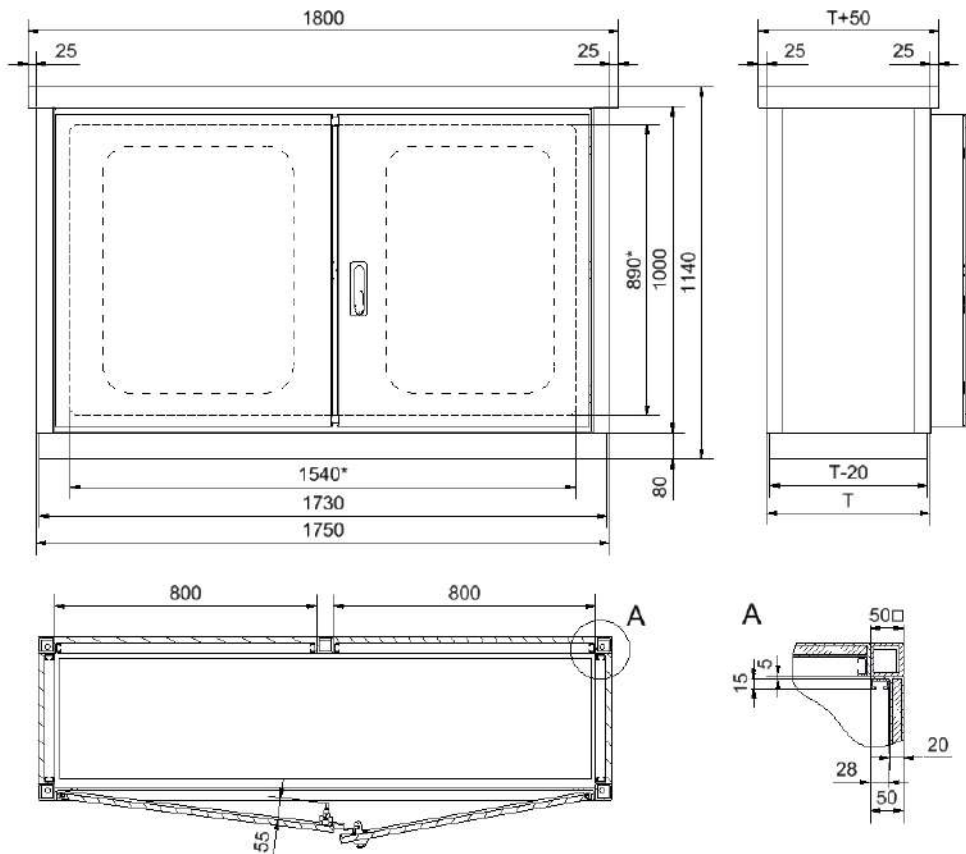
Door with 3-point locking device with burglary-resistant swing handle with profile cylinder to DIN 18252 (lockable)  
 Basquil-locking-device for left door and overlapflange of stainless steel  
 Roof overhang 25 mm all around

## Arrangement

Floor (see data sheet [SD522](#) „Floor versions for classic series“)

## Options

- MP** Mounting plate
- FA/FS**  Acrylic glass/  Safety glass window
- C-VA** Vertical c-rails in stainless steel instead of aluminium
- GO** Antistatic to avoid electrostatic charges according to EN IEC 60079-0
- SB** Floor fastening (see data sheet [SD523](#) „Fastenings for classic-floor versions design ...“)
- WA** Wall fastening  inside/  outside
- SZ** Ground vault



\* clear width

Type	Sizes (mm) with floor		
	H	B	T
110.175.050	1140	1750	500
110.175.070			700
110.175.090			900
110.175.110			1100



# CLASSIC 110.195.xxx - double door

Reinforced glassfibre polyester parts, sandwich construction, insulated with polyurethane foam core  
 Corner posts of GRP with vertical c-rails  
 Textured surface in grey RAL 7032  
 Protection class IP54  
 Vertical c-rails provided at the side wall and rear wall

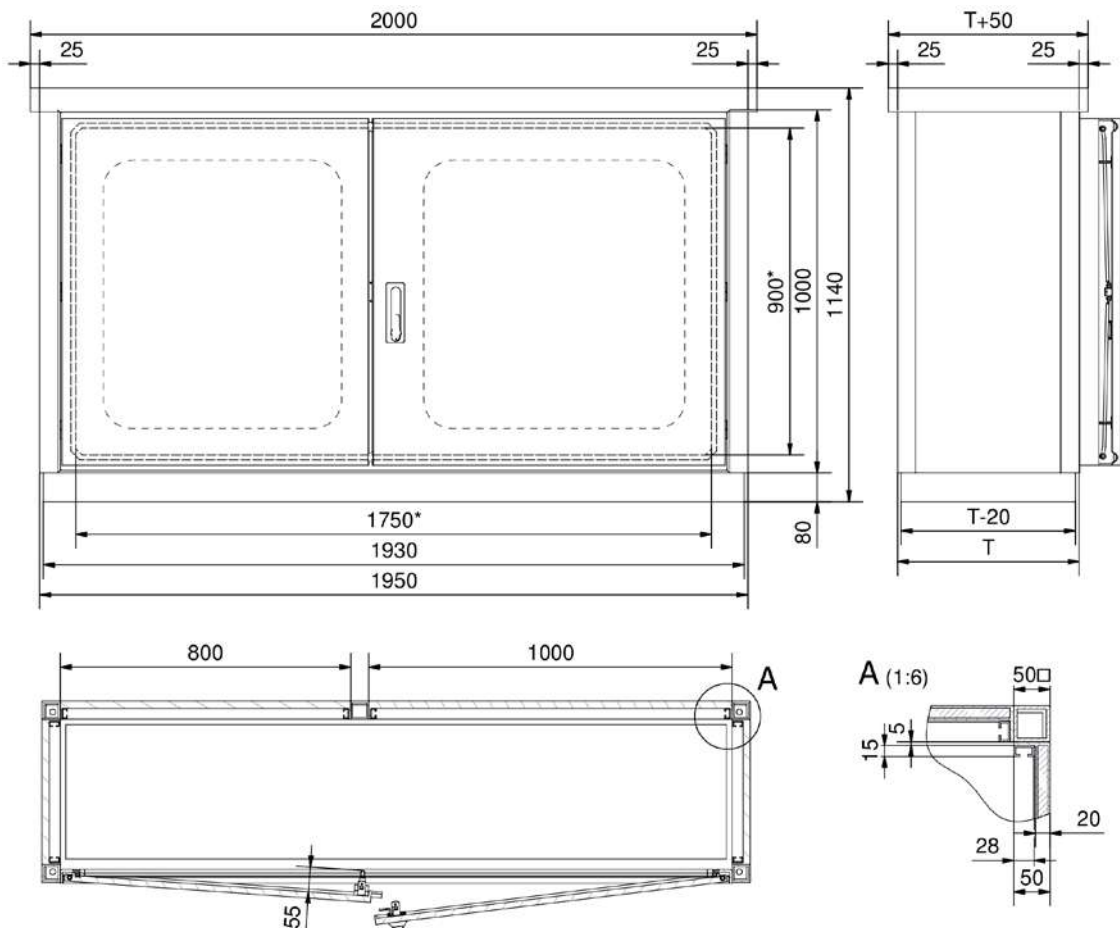
Door with 3-point locking device with burglary-resistant swing handle with profile cylinder to DIN 18252 (lockable)  
 Basquil-locking-device for left door and overlapflange of stainless steel  
 Roof overhang 25 mm all around

## Arrangement

Floor (see data sheet [SD522](#) „Floor versions for classic series“)

## Options

- MP** Mounting plate
- FA/FS**  Acrylic glass/  Safety glass window
- C-VA** Vertical c-rails in stainless steel instead of aluminium
- GO** Antistatic to avoid electrostatic charges according to EN IEC 60079-0
- SB** Floor fastening (see data sheet [SD523](#) „Fastenings for classic-floor versions design ...“)
- WA** Wall fastening  inside/  outside
- SZ** Ground vault



\* clear width

Type	Sizes (mm) with floor		
	H	B	T
110.195.050	1140	1950	500
110.195.070			700
110.195.090			900
110.195.110			1100



# CLASSIC 160.135.xxx - double door

Reinforced glassfibre polyester parts, sandwich construction, insulated with polyurethane foam core  
 Corner posts of GRP with vertical c-rails  
 Textured surface in grey RAL 7032  
 Protection class IP54  
 Vertical c-rails provided at the side wall and rear wall

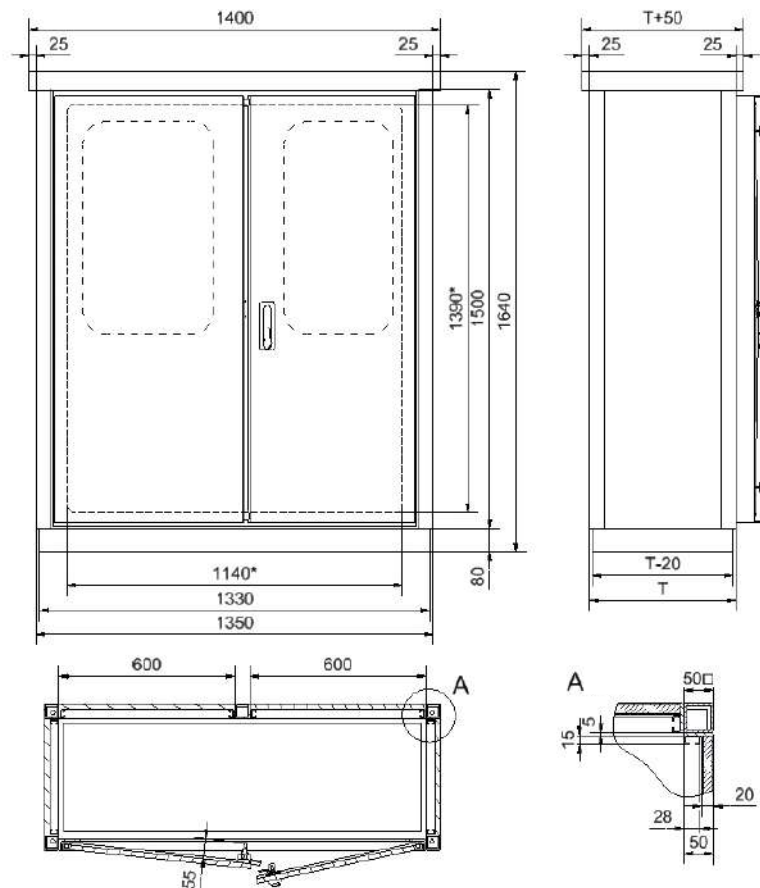
Door with 3-point locking device with burglary-resistant swing handle with profile cylinder to DIN 18252 (lockable)  
 Basquil-locking-device for left door and overlapflange of stainless steel  
 Roof overhang 25 mm all around

## Arrangement

Floor (see data sheet [SD522](#) „Floor versions for classic series“)

## Options

- MP** Mounting plate
- FA/FS**  Acrylic glass/  Safety glass window
- C-VA** Vertical c-rails in stainless steel instead of aluminium
- GO** Antistatic to avoid electrostatic charges according to EN IEC 60079-0
- SB** Floor fastening (see data sheet [SD523](#) „Fastenings for classic-floor versions design ...“)
- WA** Wall fastening  inside/  outside
- SZ** Ground vault



\* clear width

Type	Sizes (mm) with floor		
	H	B	T
160.135.050	1640	1350	500
160.135.070			700
160.135.090			900
160.135.110			1100



## CLASSIC 160.155.xxx - double door

Reinforced glassfibre polyester parts, sandwich construction, insulated with polyurethane foam core  
 Corner posts of GRP with vertical c-rails  
 Textured surface in grey RAL 7032  
 Protection class IP54  
 Vertical c-rails provided at the side wall and rear wall

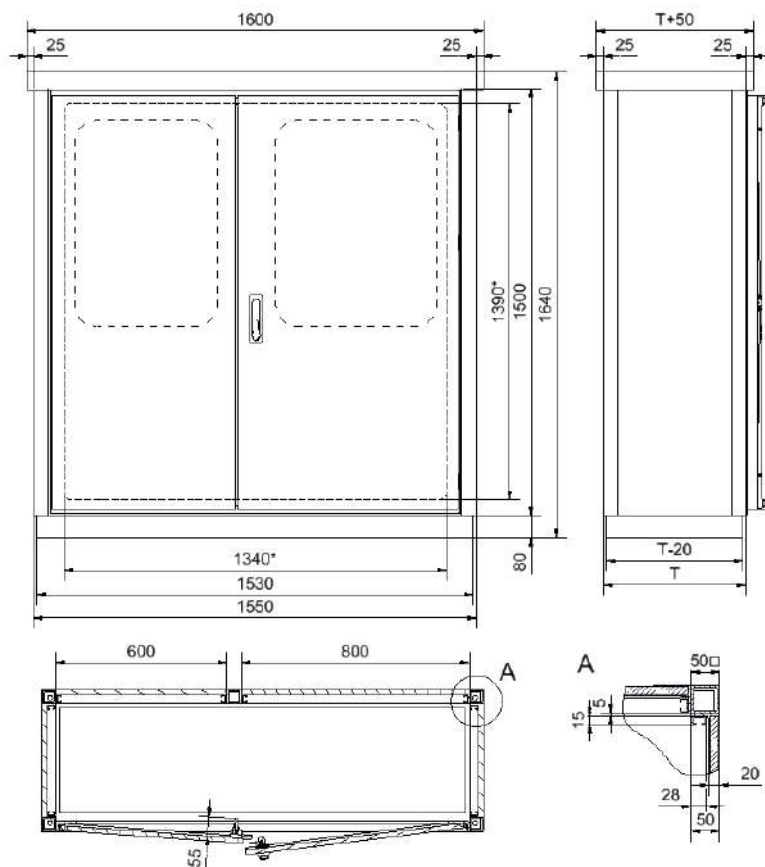
3-point locking device with burglary-resistant swing handle with profile cylinder to DIN 18252 (lockable)  
 Basquil-locking-device for left door and overlapflange of stainless steel  
 Roof overhang 25 mm all around

### Arrangement

Floor (see data sheet [SD522](#) „Floor versions for classic series“)

### Options

- MP** Mounting plate
- FA/FS**  Acrylic glass/  Safety glass window
- C-VA** Vertical c-rails in stainless steel instead of aluminium
- GO** Antistatic to avoid electrostatic charges according to EN IEC 60079-0
- SB** Floor fastening (see data sheet [SD523](#) „Fastenings for classic-floor versions design ...“)
- WA** Wall fastening  inside/  outside
- SZ** Ground vault



\* clear width

Type	Sizes (mm) with floor		
	H	B	T
160.155.050	1640	1550	500
160.155.070			700
160.155.090			900
160.155.110			1100



## CLASSIC 160.175.xxx - double door

Reinforced glassfibre polyester parts, sandwich construction, insulated with polyurethane foam core  
 Corner posts of GRP with vertical c-rails  
 Textured surface in grey RAL 7032  
 Protection class IP54  
 Vertical c-rails provided at the side wall and rear wall

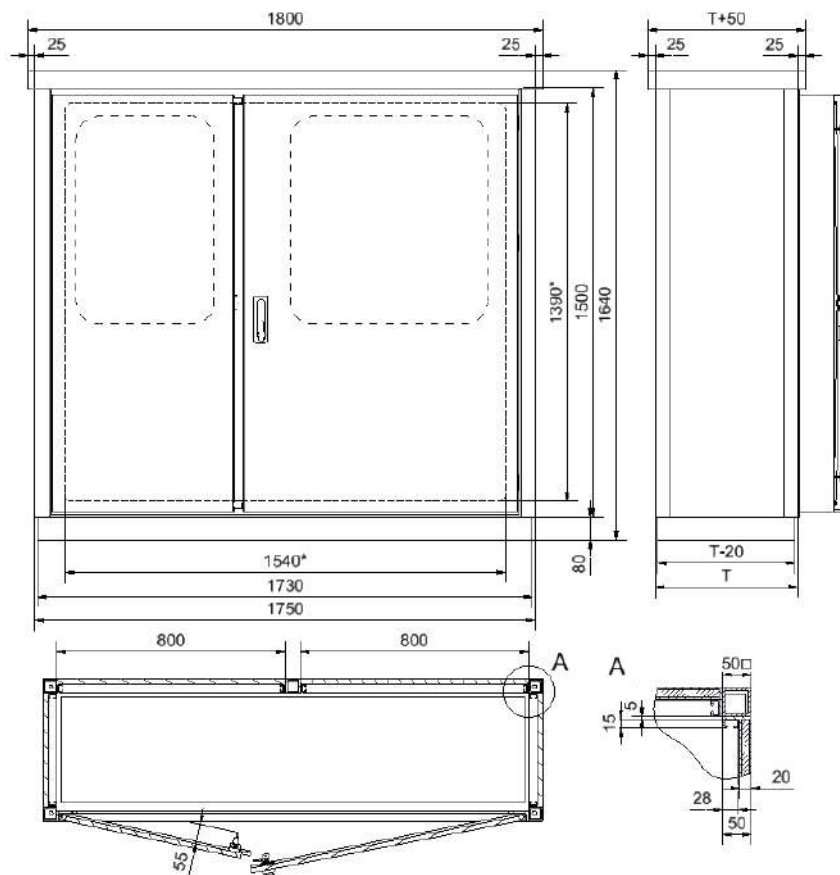
Door with 3-point locking device with burglary-resistant swing handle with profile cylinder to DIN 18252 (lockable)  
 Basquil-locking-device for left door and overlapflange of stainless steel  
 Roof overhang 25 mm all around

### Arrangement

Floor (see data sheet [SD522](#) „Floor versions for classic series“)

### Options

- MP** Mounting plate
- FA/FS**  Acrylic glass/  Safety glass window
- C-VA** Vertical c-rails in stainless steel instead of aluminium
- GO** Antistatic to avoid electrostatic charges according to EN IEC 60079-0
- SB** Floor fastening (see data sheet [SD523](#) „Fastenings for classic-floor versions design ...“)
- WA** Wall fastening  inside/  outside
- SZ** Ground vault



\* clear width

Type	Sizes (mm) with floor		
	H	B	T
160.175.050	1640	1750	500
160.175.070			700
160.175.090			900
160.175.110			1100





# CLASSIC 160.195.xxx - double door

Reinforced glassfibre polyester parts, sandwich construction, insulated with polyurethane foam core  
 Corner posts of GRP with vertical c-rails  
 Textured surface in grey RAL 7032  
 Protection class IP54  
 Vertical c-rails provided at the side wall and rear wall

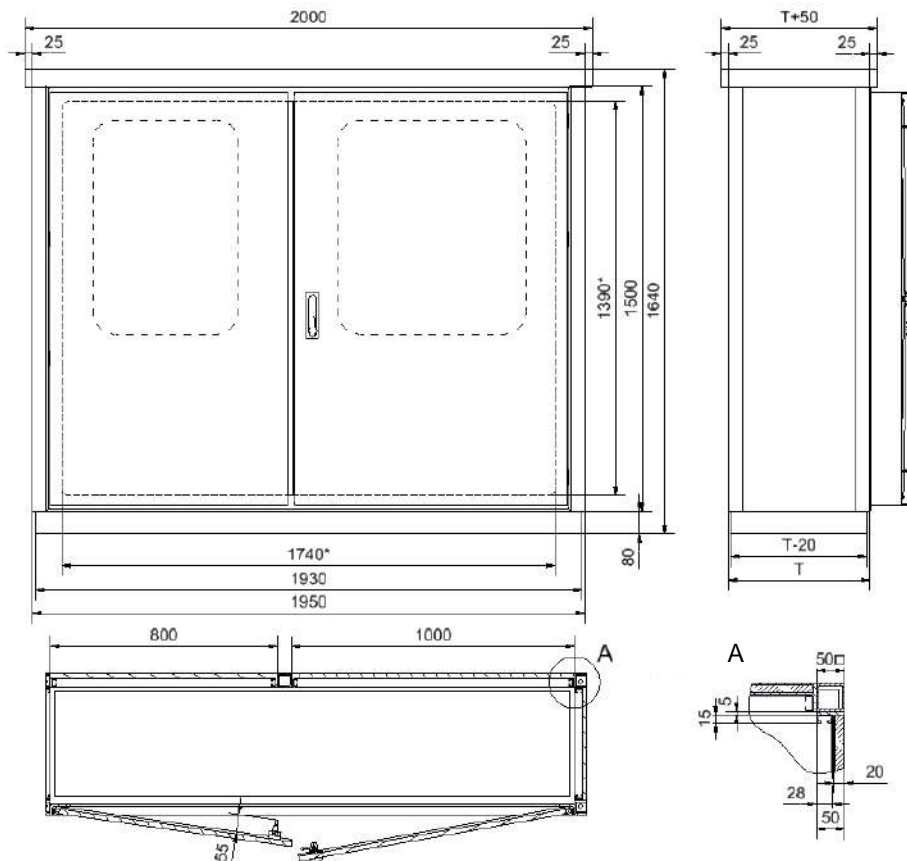
Door with 3-point locking device with burglary-resistant swing handle with profile cylinder to DIN 18252 (lockable)  
 Basquil-locking-device for left door and overlapflange of stainless steel  
 Roof overhang 25 mm all around

## Arrangement

Floor (see data sheet [SD522](#) "Floor versions for classic series")

## Options

- MP** Mounting plate
- FA/FS**  Acrylic glass/  Safety glass window
- C-VA** Vertical c-rails in stainless steel instead of aluminium
- GO** Antistatic to avoid electrostatic charges according to EN IEC 60079-0
- SB** Floor fastening (see data sheet [SD523](#) "Fastenings for classic-floor versions design ...")
- WA** Wall fastening  inside/  outside
- SZ** Ground vault



\* clear width

Type	Sizes (mm) with floor		
	H	B	T
160.195.050	1640	1950	500
160.195.070			700
160.195.090			900
160.195.110			1100



# CLASSIC 160.xxx.xxx - single door

Reinforced glassfibre polyester parts, sandwich construction, insulated with polyurethane foam core  
 Corner posts of GRP with vertical c-rails  
 Textured surface in grey RAL 7032

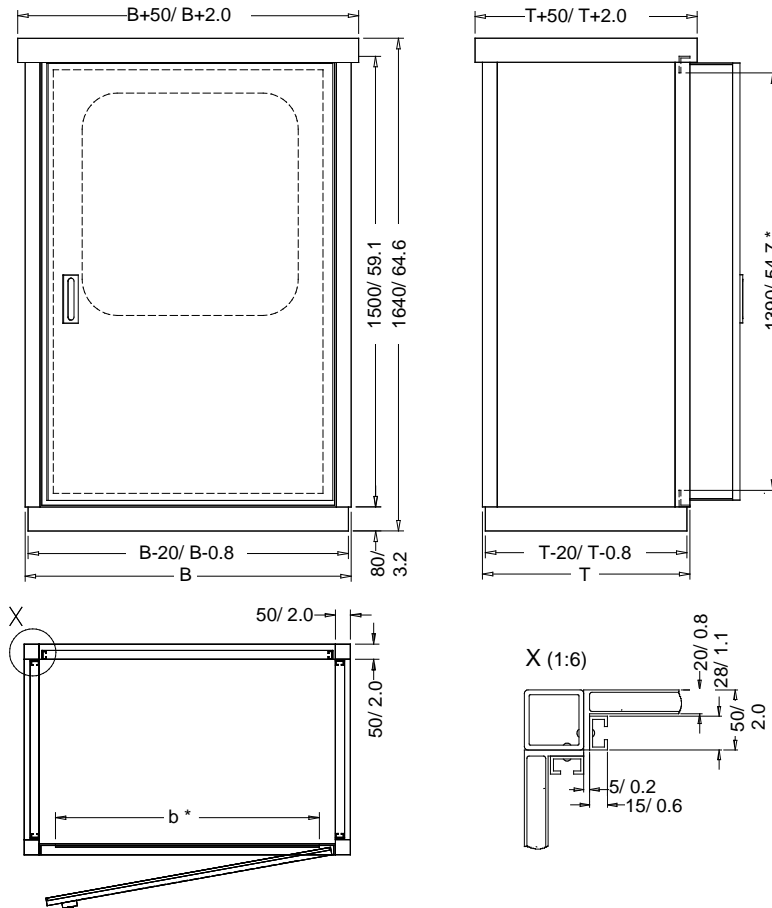
Protection class IP65  
 Vertical c-rails provided at the side wall and rear wall  
 3-point locking device with lockable lever handle  
 Roof overhang 25 mm/ 1.0" all around

## Arrangement

Floor (see data sheet [SD522](#) „Floor versions for classic series“)

## Options

- MP** Mounting plate
- FA/FS**  Acrylic glass/  Safety glass window
- SG** swing handle with key lock
- C-VA** Vertical c-rails in stainless steel instead of aluminium
- GO** antistatic to avoid electrostatic charges according to EN IEC 60079-0
- SB** Floor fastening (see data sheet [SD523](#) „Fastenings for classic-floor versions design ...“)
- WA** Wall fastening  inside/  outside
- SZ** Ground vault



\* clear width

Dimensions in mm/ inches

Type	Sizes (mm / inches) with floor			
	H	B	b	T
160.070.050	1640/ 64.6	700/ 27.6	490/ 19.3	500/ 19.7
160.070.070				700/ 27.6
160.070.090				900/ 35.4
160.070.110				1100/ 43.3
160.090.050		900/ 35.4	690/ 27.2	500/ 19.7
160.090.070				700/ 27.6

Type	Sizes (mm / inches) with floor			
	H	B	b	T
160.090.090	1640/ 64.6	900/ 35.4	690/ 27.2	900/ 35.4
160.090.110				1100/ 43.3
160.110.050		1100/ 43.3	890/ 35.0	500/ 19.7
160.110.070				700/ 27.6
160.110.090				900/ 35.4
160.110.110				1100/ 43.3

SD240-4ca CLASSIC 160 single door



# CLASSIC 210.135.xxx - double door

Reinforced glassfibre polyester parts, sandwich construction, insulated with polyurethane foam core  
 Corner posts of GRP with vertical c-rails  
 Textured surface in grey RAL 7032  
 Protection class IP54  
 Vertical c-rails provided at the side wall and rear wall

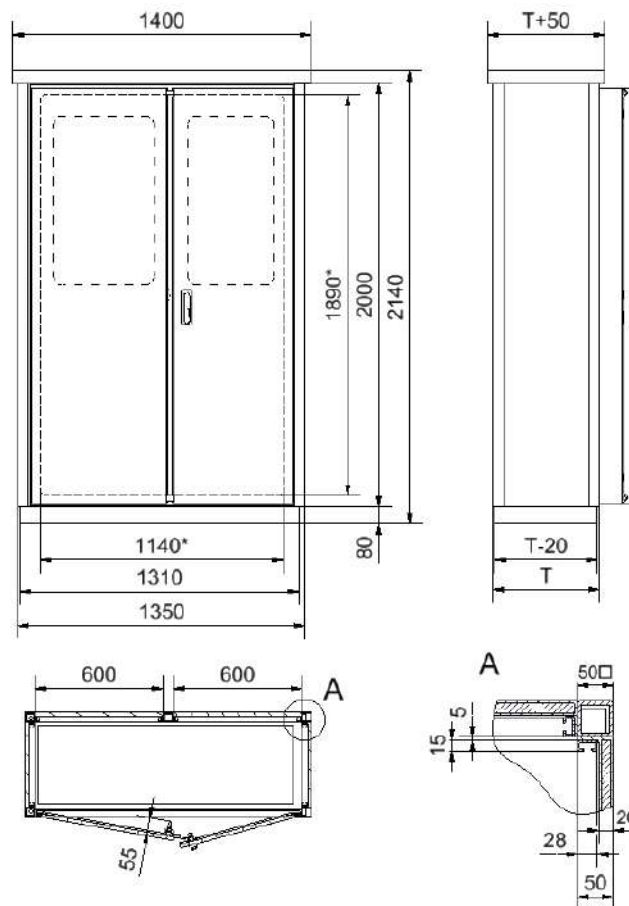
Door with 3-point locking device with burglary-resistant swing handle with profile cylinder to DIN 18252 (lockable)  
 Basquil-locking-device for left door and overlapflange of stainless steel  
 Roof overhang 25 mm all around

### Arrangement

Floor (see data sheet [SD522](#) "Floor versions for classic series")

### Options

- MP** Mounting plate
- FA/FS**  Acrylic glass/  Safety glass window
- C-VA** Vertical c-rails in stainless steel instead of aluminium
- GO** Antistatic to avoid electrostatic charges according to EN IEC 60079-0
- SB** Floor fastening (see data sheet [SD523](#) "Fastenings for classic-floor versions design ...")
- WA** Wall fastening  inside/  outside
- SZ** Ground vault



\* clear width

Type	Sizes (mm) with floor		
	H	B	T
210.135.050	2140	1350	500
210.135.070			700
210.135.090			900
210.135.110			1100



# CLASSIC 210.155.xxx - double door

Reinforced glassfibre polyester parts, sandwich construction, insulated with polyurethane foam core  
 Corner posts of GRP with vertical c-rails  
 Textured surface in grey RAL 7032  
 Protection class IP54  
 Vertical c-rails provided at the side wall and rear wall

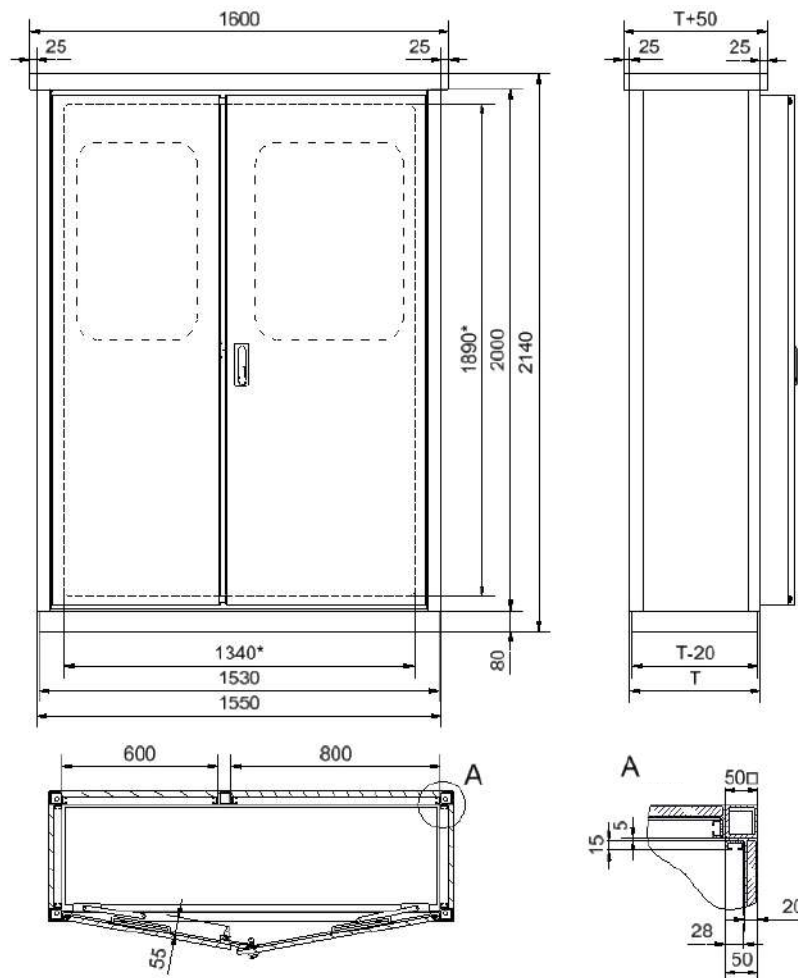
Door with 3-point locking device with burglary-resistant swing handle with profile cylinder to DIN 18252 (lockable)  
 Basquil-locking-device for left door and overlapflange of stainless steel  
 Roof overhang 25 mm all around

### Arrangement

Floor (see data sheet [SD522](#) "Floor versions for classic series")

### Options

- MP** Mounting plate
- FA/FS**  Acrylic glass/  Safety glass window
- C-VA** Vertical c-rails in stainless steel instead of aluminium
- GO** Antistatic to avoid electrostatic charges according to EN IEC 60079-0
- SB** Floor fastening (see data sheet [SD523](#) "Fastenings for classic-floor versions design ...")
- WA** Wall fastening  inside/  outside
- SZ** Ground vault



\*clear width

Type	Sizes (mm) with floor		
	H	B	T
210.155.050	2140	1550	500
210.155.070			700
210.155.090			900
210.155.110			1100



# CLASSIC 210.175.xxx - double door

Reinforced glassfibre polyester parts, sandwich construction, insulated with polyurethane foam core  
 Corner posts of GRP with vertical c-rails  
 Textured surface in grey RAL 7032  
 Protection class IP54  
 Vertical c-rails provided at the side wall and rear wall

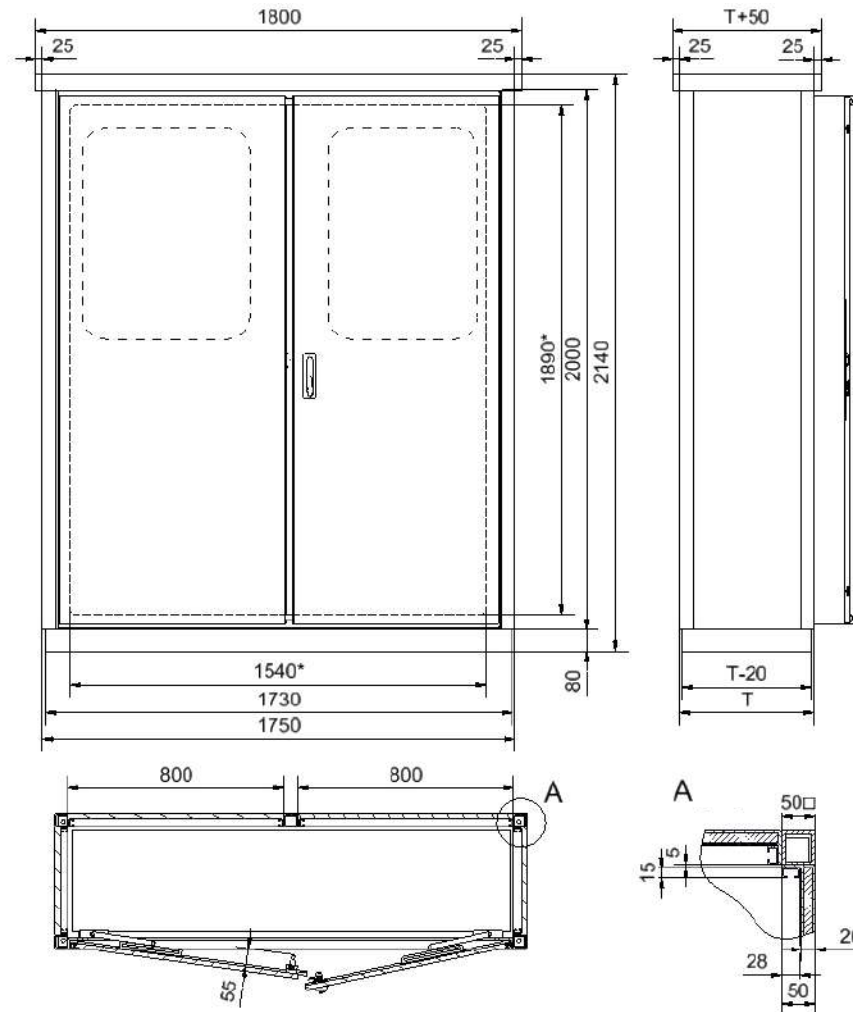
Door with 3-point locking device with burglary-resistant swing handle with profile cylinder to DIN 18252 (lockable)  
 Basquil-locking-device for left door and overlapflange of stainless steel  
 Roof overhang 25 mm all around

### Arrangement

Floor (see data sheet [SD522](#) "Floor versions for classic series")

### Options

- MP** Mounting plate
- FA/FS**  Acrylic glass/  Safety glass window
- C-VA** Vertical c-rails in stainless steel instead of aluminium
- GO** Antistatic to avoid electrostatic charges according to EN IEC 60079-0
- SB** Floor fastening (see data sheet [SD523](#) "Fastenings for classic-floor versions design ...")
- WA** Wall fastening  inside/  outside
- SZ** Ground vault



\* clear width

Type	Sizes (mm) with floor		
	H	B	T
210.175.050	2140	1750	500
210.175.070			700
210.175.090			900
210.175.110			1100



# CLASSIC 210.195.xxx - double door

Reinforced glassfibre polyester parts, sandwich construction, insulated with polyurethane foam core  
 Corner posts of GRP with vertical c-rails  
 Textured surface in grey RAL 7032  
 Protection class IP54

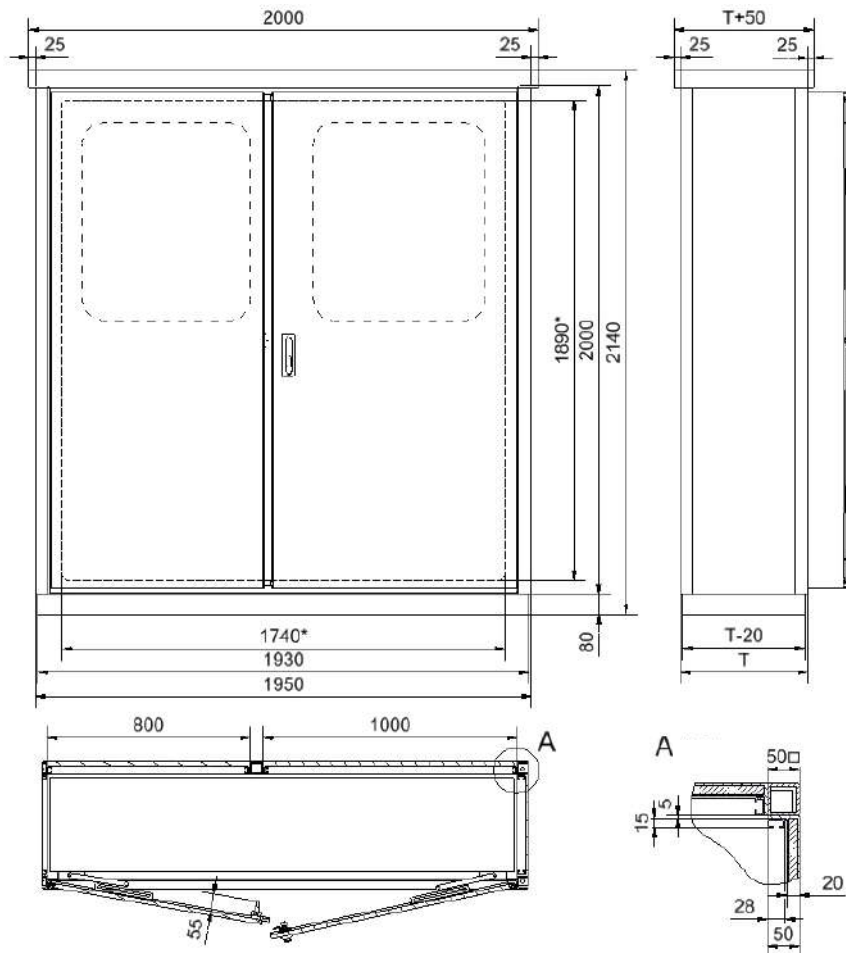
Vertical c-rails provided at the side wall and rear wall  
 Door with 3-point locking device with burglary-resistant swing handle with profile cylinder to DIN 18252 (lockable)  
 Basquil-locking-device for left door and overlapflange of stainless steel

### Arrangement

Floor (see data sheet [SD522](#) "Floor versions for classic series")

### Options

- MP** Mounting plate
- FA/FS**  Acrylic glass/  Safety glass window
- C-VA** Vertical c-rails in stainless steel instead of aluminium
- GO** Antistatic to avoid electrostatic charges according to EN IEC 60079-0
- SB** Floor fastening (see data sheet [SD523](#) "Fastenings for classic-floor versions design ...")
- WA** Wall fastening  inside/  outside
- SZ** Ground vault



\* clear width

Type	Sizes (mm) with floor		
	H	B	T
210.195.050	2140	1950	500
210.195.070			700
210.195.090			900
210.195.110			1100



# CLASSIC 210.070.xxx/ 210.090.xxx/ 210.110.xxx - single door

Reinforced glassfibre polyester parts, sandwich construction, insulated with polyurethane foam core  
 Corner posts of GRP with vertical c-rails  
 Textured surface in grey RAL 7032  
 Protection class IP65

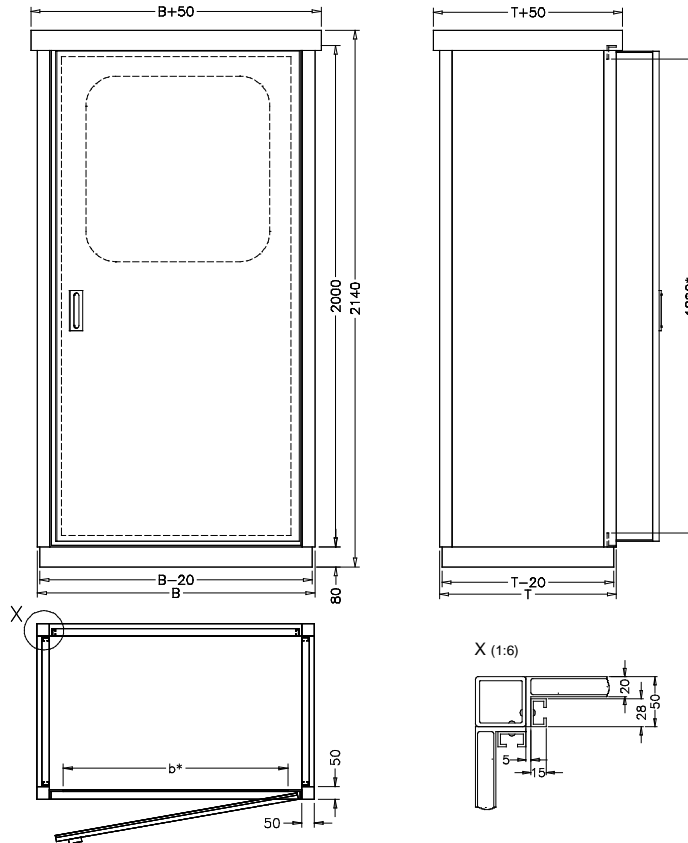
Vertical c-rails provided at the side wall and rear wall  
 3-point locking device with burglary-resistant swing handle with profile cylinder to DIN 18252 (lockable)  
 Roof overhang 25 mm all around

### Arrangement

Floor (see data sheet [SD522](#) "Floor versions for classic series")

### Options

- MP** Mounting plate
- FA/FS**  Acrylic glass/  Safety glass window
- C-VA** Vertical c-rails in stainless steel instead of aluminium
- GO** Antistatic to avoid electrostatic charges according to EN IEC 60079-0
- F30** Fire resistance class F30
- SB** Floor fastening (see data sheet [SD523](#) "Fastenings for classic-floor versions design ...")
- WA** Wall fastening  inside/  outside
- SZ** Ground vault



\* clear width

scale 1:25

Type	H	Sizes (mm) with floor		
		B	b	T
210.070.050	2140	700	490	500
210.070.070				700
210.070.090				900
210.070.110				1100
210.090.050				900
210.090.070	700			

Type	H	Sizes (mm) with floor		
		B	b	T
210.090.090	2140	900	690	900
210.090.110				1100
210.110.050				1100
210.110.070	700			
210.110.090	900			
210.110.110	1100			